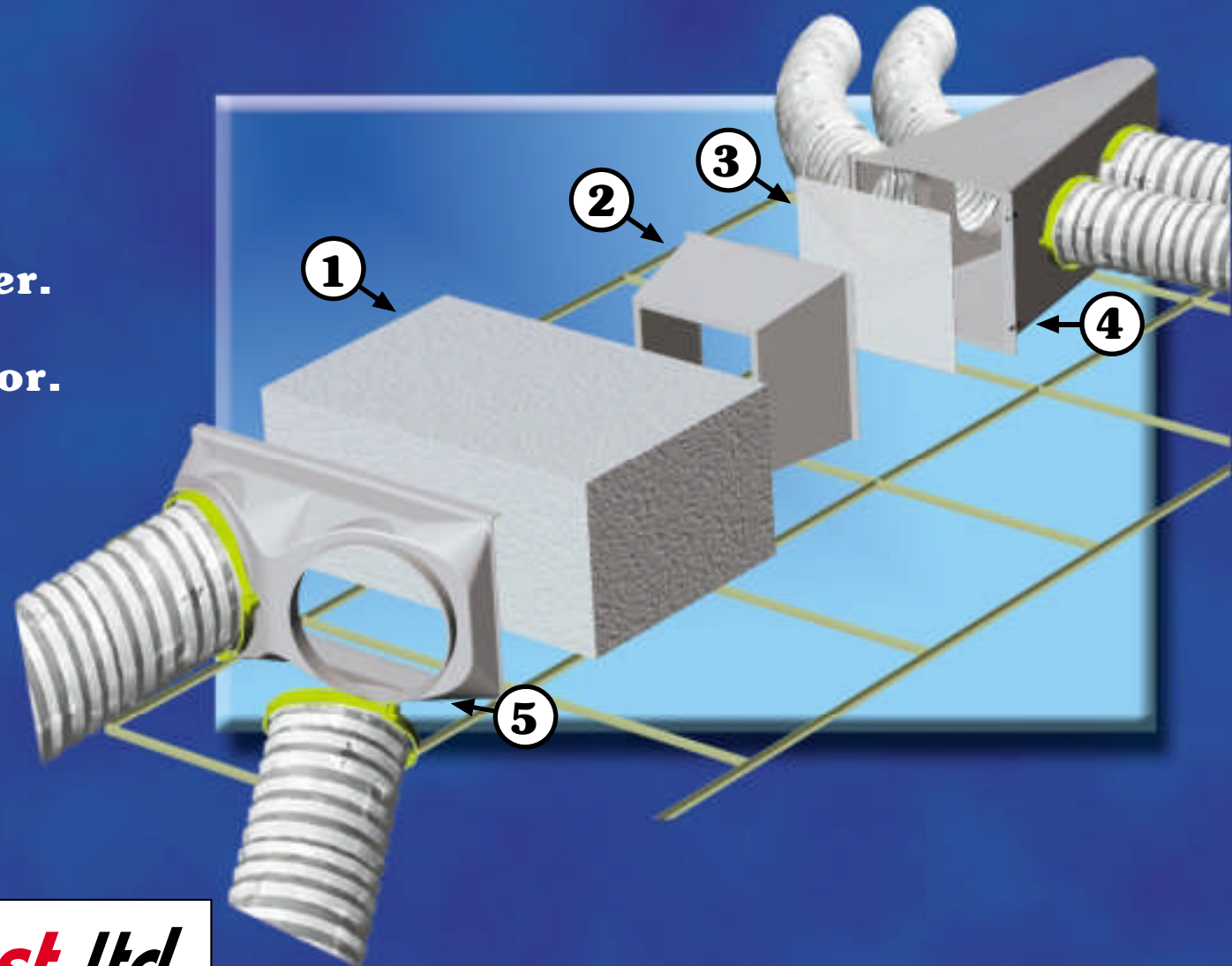


**T Q M S**

Twito Quick Modular System

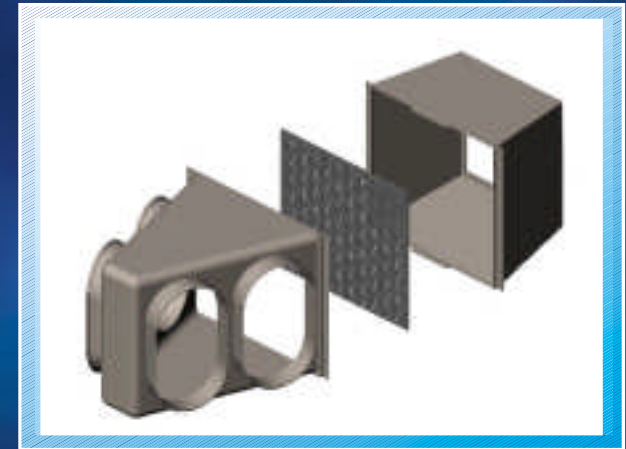
# Duct Manifolds & Return air Adaptor

1. A/C indoor Unit.
2. Extension Box.
3. Flowing Equalizer.
4. Duct Manifolds.
5. Return Air Adaptor.



## DUCT MANIFOLD

- 3 different types.
- Without air flow control flap.
- With manually operated deflection flap.
- Duct manifold good for air conditioning up to 1100 cfm and 1800 cfm.
- T duct manifold.



## DUCT MANIFOLD

- Made of P.S.
- Corrosion - resistance.
- Temp. range of 0°C-65°C.
- Serves the air conditioning system distribution box.
- Each side can contain 1 to 4 connections of various sizes.
- Lined with alu foil. insulation sheets.
- Main duct connection has rectangular opening of 400mm x 400mm.
- Duct connection from 6" up to 14".

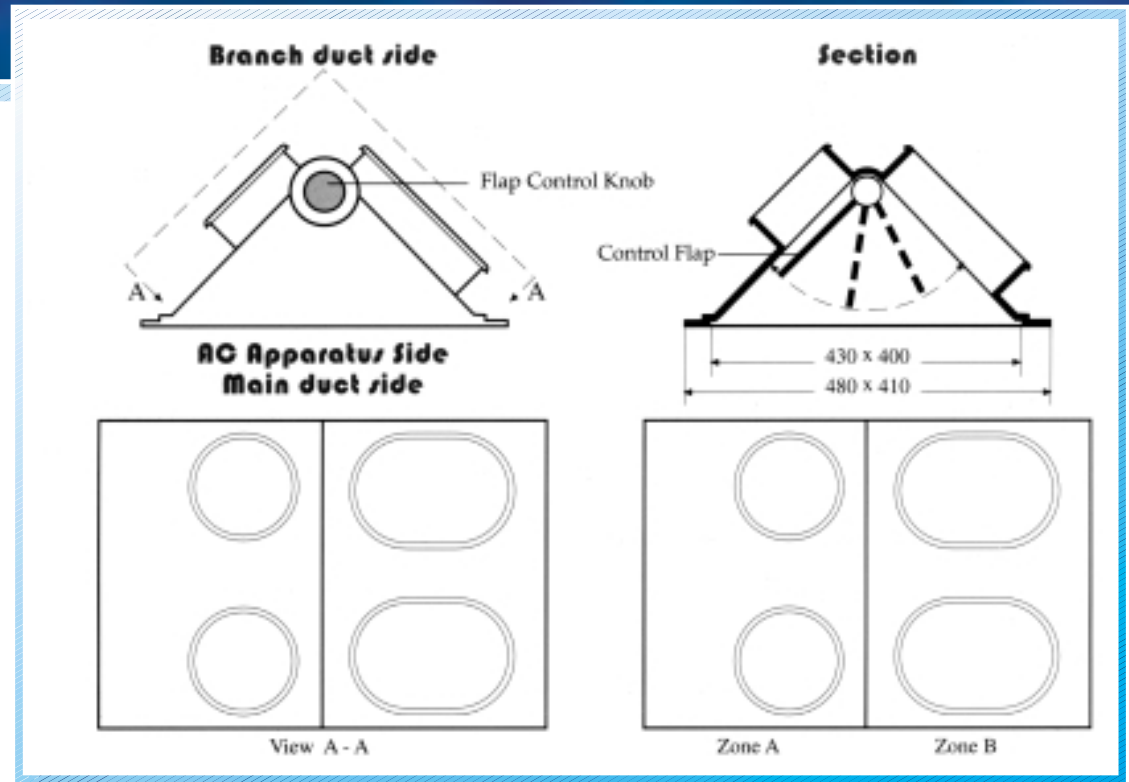
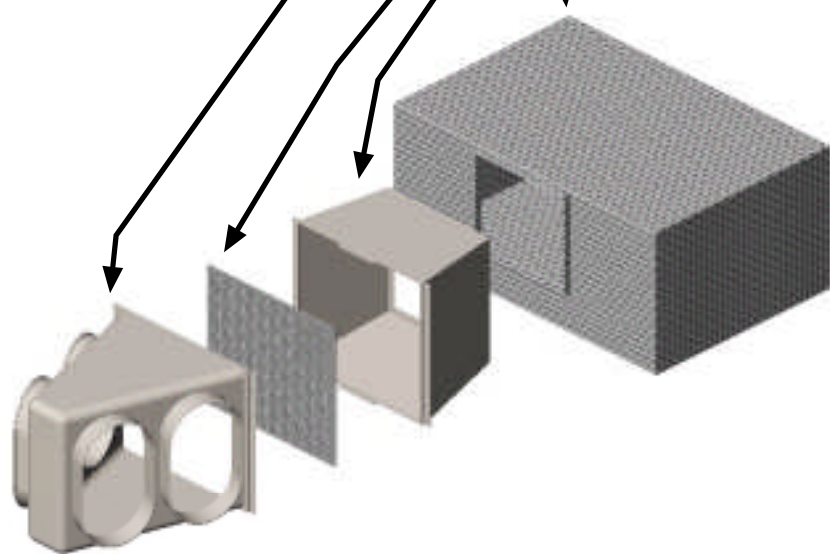


AIR CONDITON UNIT

EXTENSION

SCREEN

DUCT MANIFOLD



## ASSEMBLING INSTRUCTIONS

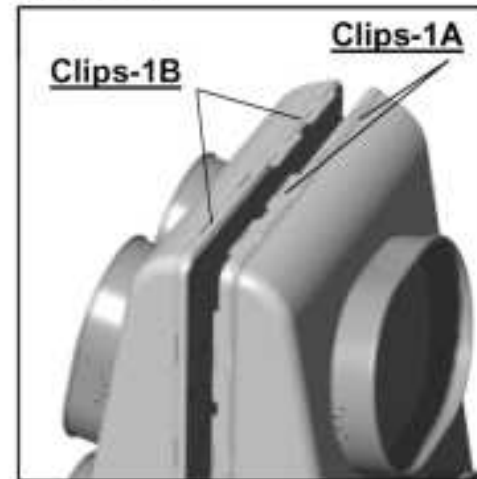
### Duct Manifold



1. Place both parts of the duct manifold on the floor with the wide opening facing down.
2. Position both parts so that **clips-1A & 1B** (located on the perimeter wall) are aligned (see **Detail-1**).
3. Press both parts and press **carefully** together.
4. Patch the inner side of the duct manifold, around the connections with the tape supplied.
5. Open the required air outlet using a knife.
6. Connect the duct manifold to the A/C unit.

**Note:** It is best to connect the **upper screws** before connecting the **lower screws** (see **Detail-2**).

### Detail-1



### Upper Screws

### Detail-2

