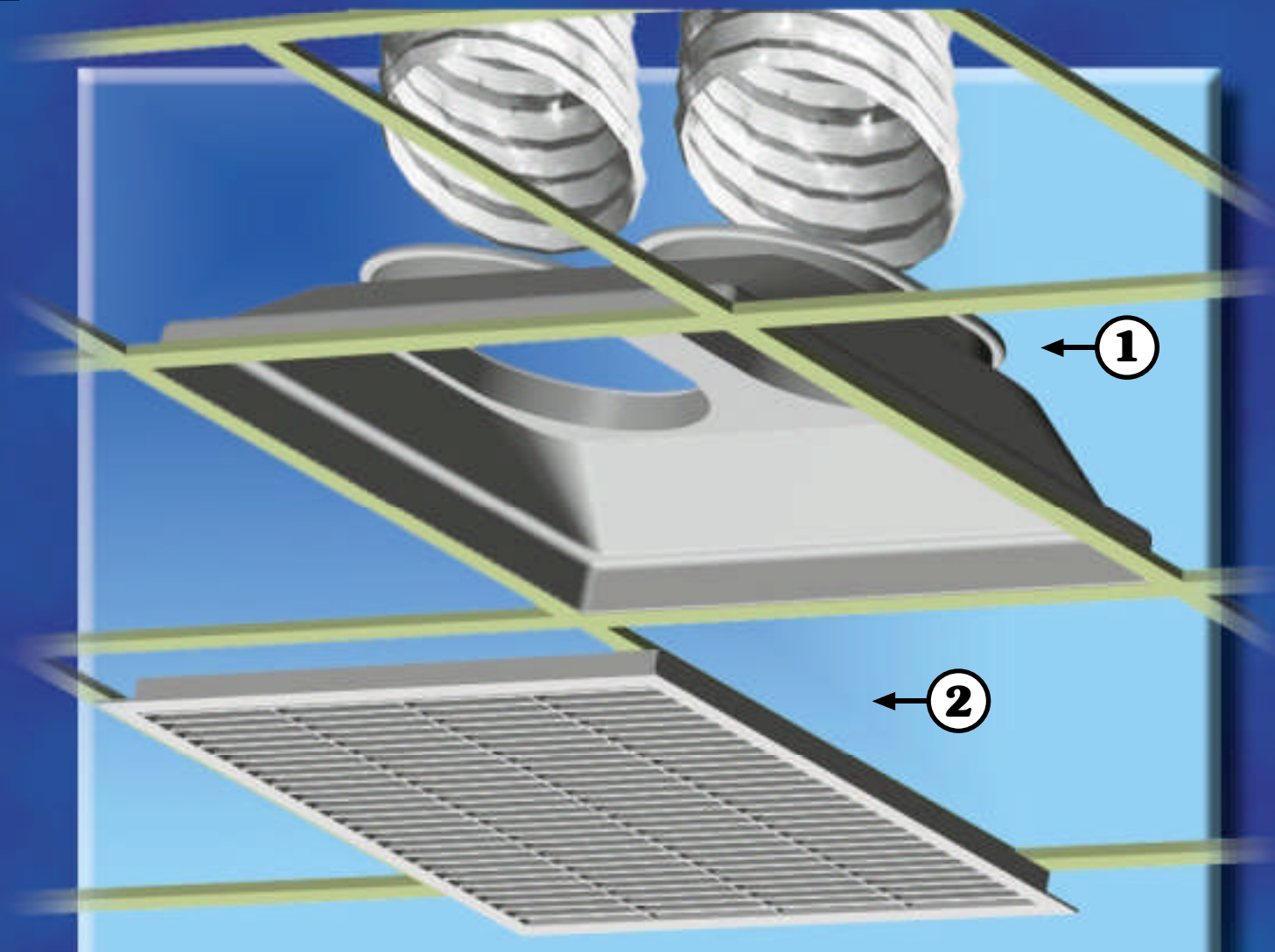


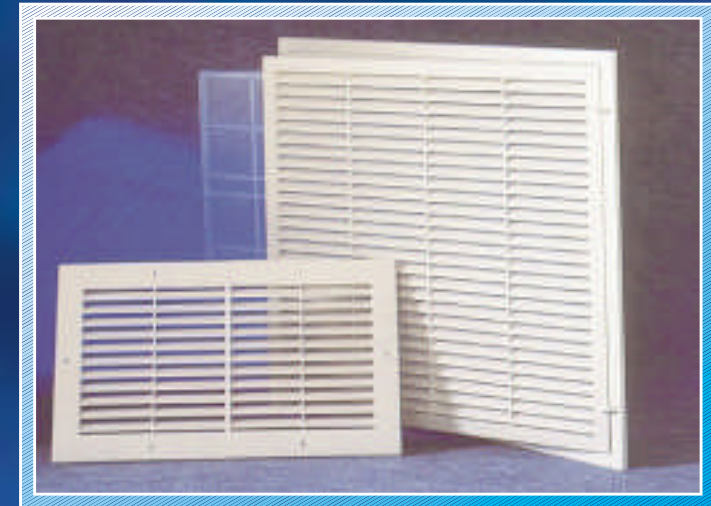
Return Air Grille

1. Adaptor
2. Grille



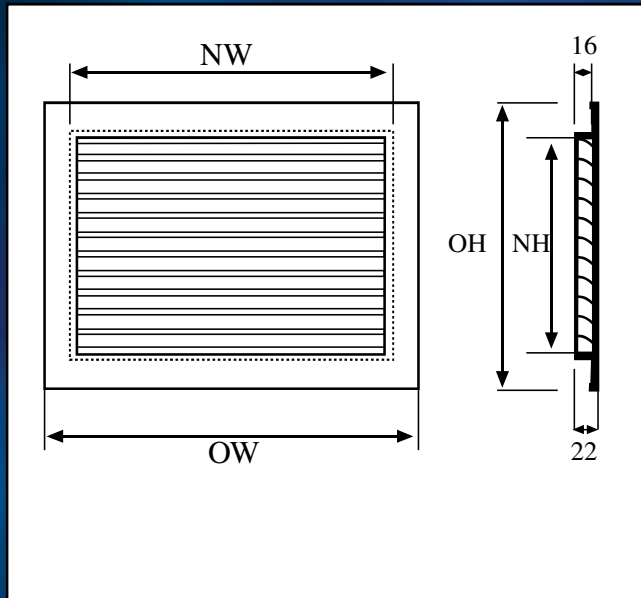
RETURN AIR GRILLE

- Made of A.B.S.
- Corrosion - resistance.
- Temp. range of 0°C-65°C.
- 4 Series 220mm, 400mm, 525mm, 600mm and special size.
- With or without filters.
- Prevents condensation.
- Mounted on the wall or ceiling.
- One piece molded unit.
- Curved blades 19mm spacing 30° down deflection.
- Frames 20 mm 30 mm.
- Wide frame 40mm.

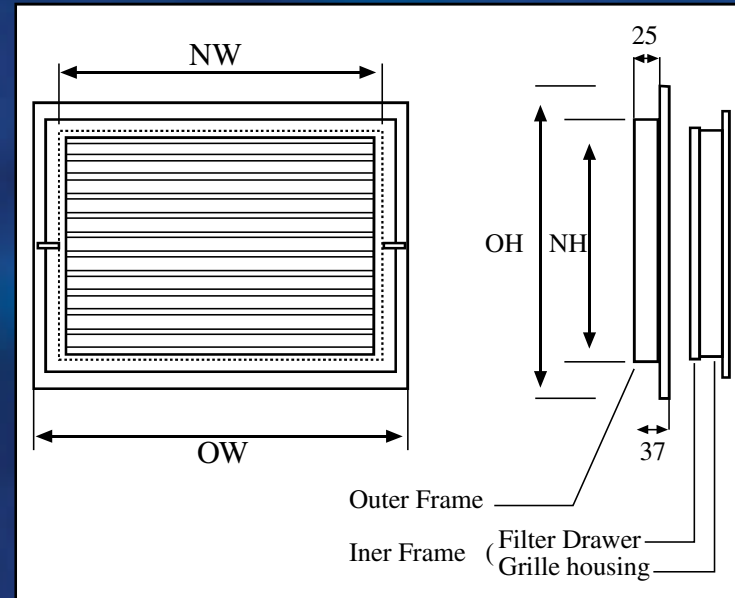


RETURN AIR GRILLE

Grille without filter



Grille with filter



- OW-overall width
- NW-neck width
- OH-overall height
- NH-neck height



Return Air Grille for a Door

